



Pressure Gauge MAN-63

Application

- hygienic pressure measurement

Application Examples

- locale display without power supply

Hygienic Design / Process Connection

- by using the Negele weld-in sleeve EMZ-352, a hygienic and easy cleanable measurement point will be achieved
- adapter for DIN 11851, Varivent, SMS, RJT etc.
- direct connection for 3/4" und 1" TriClamp
- CIP- / SIP cleanable up to 140°C / max. 60 min
- gauges completely made of stainless steel
- sensor materials and actuating fill are FDA conform
- IP66, housing for optimized cleanability

Features

- complete device is certified by 3A
- with *SMARTadapt* an easy adaption to all process connection is possible
- zero adjustable
- surface Ra<0,2µm is standard

Options

- case filling with glycerin for damping
- actuating fill with neobee M20

DIRECTadapt



MAN-63-tc 3/4"

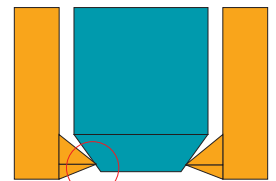


MAN-63-tc 1"

CLEANadapt



MAN-63-s



hygienic elastomer free sealing principle

Specification

Material	diaphragm	1.4404 (316L)
	fitting	1.4404 (316L)
	Bourdon tube	1.4301 (304)
	movement	1.4301 (304)
	case	1.4301 (304)
	inspection window	polycarbonat
	case fill	glyzerin
Actuating fill	option	paraffin oil
		neobee M20 (all FDA conform)
Protection class		IP66

Over-range capability	Repeatability	min. 25% over range
	Linearity	±0,5% of full scale
	Hysteresis	±0,5% of full scale
Temperature	process	-5°C...120°C
	CIP / SIP	140°C / max. 60min
	ambient	-10°C...50°C*
Stability	from 10-90% of range	<±0.01%/K f.s. in process or ambient temp.
*slower reaction at deep temperatures		

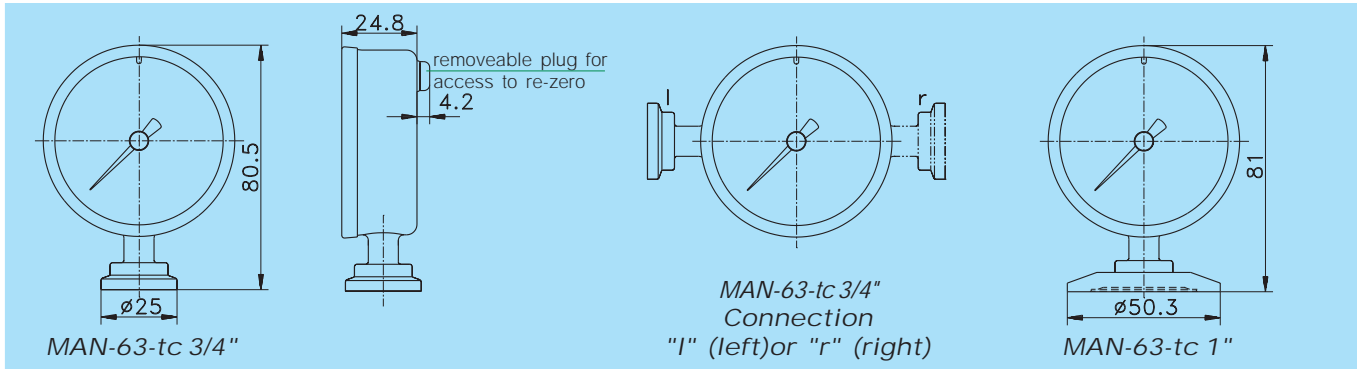
Order Code

Type	Process connection	Range	Actuating fill	Damping	Connection
MAN-63	s (CLEANadapt G1" hygienic)	-1...+2bar	paraffin oil* gc (neobee M20)	without fill* gz (glycerin fill)	u bottom*
	tc 3/4" (TriClamp3/4")	-1...+4bar			l left**
	tc1" (TriClamp 1"/1,5")	0...+2bar			r right**
		0...+4bar			
		0...+7bar			
		0...+11bar			
Order example:	MAN-63 / s / -1...+2bar / gc				

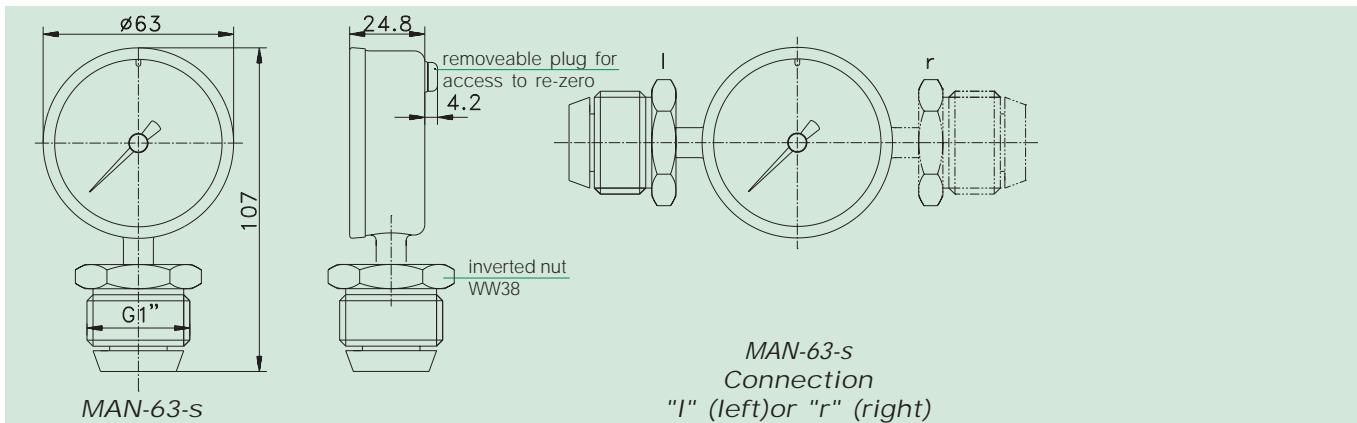
* standard, no declaration needed
** not possible with glycerin fill!



Drawings MAN-63-tc DIRECTadapt



Drawings MAN-63-s CLEANadapt



Overview of deliverable process connection (basic device and adapters must be ordered separately!)

Process connection	Build-in pipe EHG (DIN 11850 series 2)	Negele weld-in sleeve	TriClamp	Diary flange (DIN 11851)	DRD (press ring optional deliverable)	Varivent	APV-Inline	Adapter G1 1/2" to G1"
size								
DN25	-		AMC-352/1"-1,5"	AMK-352/25	-	-	-	AMG-352 suitable for existing G1 1/2" connection
DN40	EHG-40/1"	EMZ-352 suitable for installation in vessels	AMC-352/1"-1,5"	AMK-352/40	-	AMV-352	AMA-352	
DN50	EHG-50/1"		AMC-352/2"	AMK-352/50	AMK-352/50	AMV-352	AMA-352	
DN65	EHG-65/1"	EMS-352 suitable for installation in pipes	AMC-352/3"	AMK-352/65	AMK-352/50	AMV-352	AMA-352	
DN80	EHG-80/1"		AMC-352/80	AMK-352/80	AMK-352/50	AMV-352	AMA-352	
DN100	EHG-100/1"		AMC-352/4"	AMK-352/100	AMK-352/50	-	AMA-352	

Order example: TriClamp for DN100: AMC-352 / 4"