

## Pressure Sensor



### Application

- accurate hydrostatic level measuring in vessels and tanks
- precise pressure measuring in pipes and vessels

### Application Examples

- pressure monitoring
- measuring the tank's content with DAN-341, tank-linearization and -evaluation with PEM-DD (6 standard geometrys, one is free configurable)

### Hygienic Design / Process Connection

- by using the Negele weld-in sleeve EMZ-352 or the build-in system EHG-.../1" a front-flush, hygienic and easy cleanable measurement point will be achieved (3A-certificate, EHEDG-registration)
- CIP-/ SIP-cleanable up to 120°C
- front-flush stainless steel sensor cell
- FDA konform sensor materials
- sensor completely made of stainless steel
- type of protection is IP69K
- further process connections: TriClamp, diary flange, SMS, DRD, Varivent, BioControl

### Features

- robust design
- piezoresistive measurement cell
- defined PG position
- integrated two-wire measurement transmitter 4-20mA

### Options / Accessories

- special pressure ranges
- absolute measurement of pressure
- electrical connection with M12-plug-in
- prefabricated cable with M12-plug-in link
- tank content meas. device PEM-DD with linearization



EMZ-352

DAN-341 / M12

EHG-.../G1"

**Attention:** Use only Negele weld-in systems to ensure a safety function of the measurement point!

### Specification

Pressure ranges	standard	0,4 / 0,8 / 1,2 / 2,0 5,0 / 10,0 bar rel.	Temperature ranges	ambient	-20...+60°C
Overload stability	factor	at least 2 of full scale 2 bar min.	Process	compensated	-40...+100°C up to 70°C
Process connection	thread	G1" sensor, comb. with Negele- weld-in sleeve	Temperature compensation time T90		≤ 10s
	torque	20Nm max.	Linearity	variation	<±0,2% o. f. scale
Materials	connector head	SS (1.4305) 55mm dia.	Accuracy	zero	4mA ±0,15mA
	thread connection	SS (1.4571)		span	16mA ±0,1mA
	membrane	SS (1.4435)	Temperature drift	zero typ.	0,02% o. f. s. / K
Type of protection		IP69K		span typ.	0,02% o. f. s. / K
			Electr. connection	PG (M16x1,5)	2pin 1,5mm²
				optional	M12-plug-in V2A
			Output	current loop	4-20mA
			Power supply		12...36V DC

### Order Code

Type	Process connection	Range	Pressure cell	Electrical connection
DAN-341	G1"	0,4 0...0,4bar 0,8 0...0,8bar 1,2 0...1,2bar 2,0 0...2,0bar 5,0 0...5,0bar 10,0 0...10,0bar [end value] special	REL relative ABS absolute	X cable entry M16x1,5 M12 M12-plug

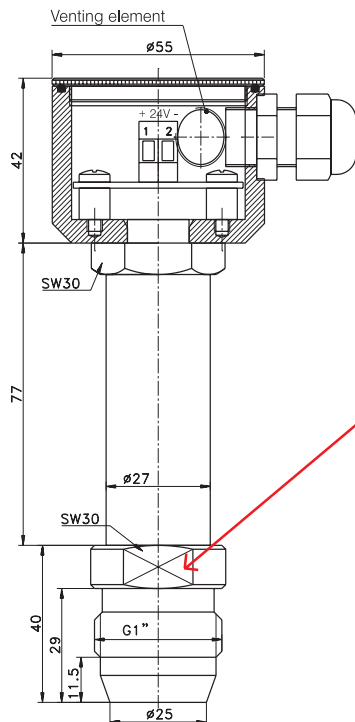
Order example: DAN-341 / 2,0 REL / M12



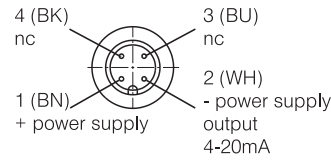
## Dimensioned drawing / Electrical connection

Attention: The maximum torque for installation is 20Nm!

Avoid pressure strikes, because these high overloads can damage the sensor!



### M12-plug-in



**Mounting Advice:**  
Tighten the sensor only on the lower spanner flat (WW27)!

DAN-341

Overview of deliverable process connections (Basic device and adapters order separately!)

Process connection	build-in system EHG (DIN 11850 Reihe 2)	Negele weld-in sleeve	TriClamp	diary flange (DIN 11851)	DRD (press ring optional deliverable)	Varivent	APV-Inline	Adapter G 1 1/2" to G1"
Size	-	-	-	-	-	-	-	-
DN25	-	-	AMC-352/1"-1,5"	AMK-352/25	-	-	-	AMG-352 suitable for existing G1 1/2" connection
DN40	EHG-40/1"	EMZ-352 suitable for installation in vessels	AMC-352/1"-1,5"	AMK-352/40	-	AMV-352	AMA-352	
DN50	EHG-50/1"	-	AMC-352/2"	AMK-352/50	AMK-352/50	"	"	
DN65	EHG-65/1"	EMS-352 suitable for installation in pulled-out pipes	AMC-352/3"	AMK-352/65	"	"	"	
DN80	EHG-80/1"	-	AMC-352/80	AMK-352/80	"	"	"	
DN100	EHG-100/1"	-	AMC-352/4"	AMK-352/100	"	"	"	

Order example: TriClamp für DN100: AMC-352 / 4"

